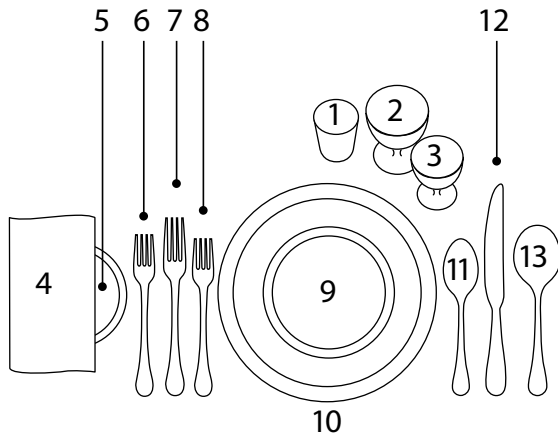


party planning guide

table settings, 2 ways

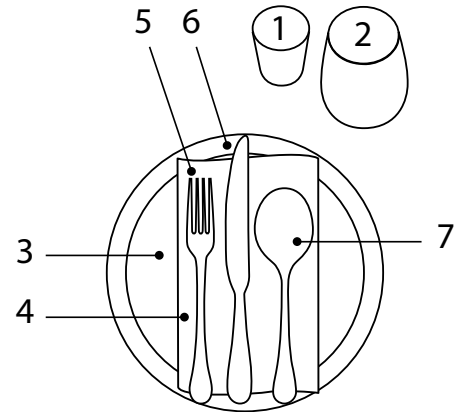
Set your table to reflect the look and feel of your dinner party.

FORMAL



- | | |
|---------------------|---------------------------------------|
| 1. Water glass | 8. Dessert fork |
| 2. Red wine glass | 9. Salad plate |
| 3. White wine glass | 10. Dinner plate |
| 4. Napkin | 11. Dessert spoon |
| 5. Bread plate | 12. Dinner knife
(blade facing in) |
| 6. Salad fork | 13. Soup spoon |
| 7. Dinner fork | |

CASUAL



- | | |
|------------------------|-----------------|
| 1. Water glass | 5. Dinner fork |
| 2. Stemless wine glass | 6. Dinner knife |
| 3. Dinner plate | 7. Soup spoon |
| 4. Napkin | |